

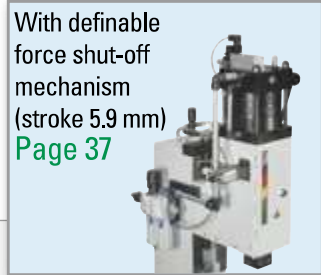
**NEW**



**Functional description**  
 Force stroke 4 mm (5.9 mm with closed tool) triggering via foot switch or via tool contact

	LPL 4/8/12 kN	LPL 13/20 kN	LPL 33/45/56 kN
Operating pressure	2-7 bar	2-7 bar	2-6 bar
Press force kN at X bar approx.	4/8/12 7.7 bar	13/20 7 bar	33/45/56 6.5 bar
Air-consumption, max. per stroke	0.07/0.11/0.14 L x bar	0.19/0.25 L x bar	0.45/0.56/0.67 L x bar
Pneumatic connection hose	1/4"	1/4"	1/2"
Weight in kg	ca. 36/38/40	ca. 92/94	ca. 199/204/209

Subject to technical modifications.

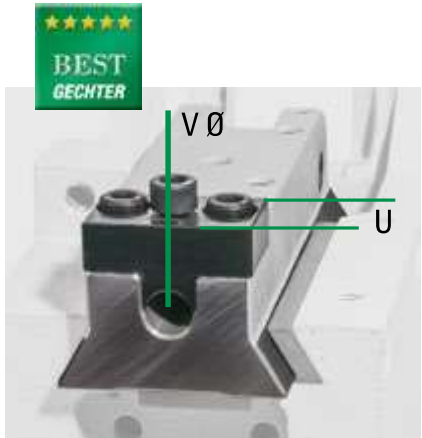


With definable force shut-off mechanism (stroke 5.9 mm)  
 Page 37



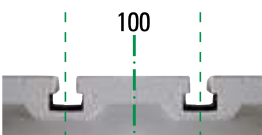
★★★★★  
**BEST  
 GECHTER**

a + b must be ordered separately!



★★★★★  
**BEST  
 GECHTER**

With type 4, 8, 12 LPL  
 1 x DIN 650 M8x10



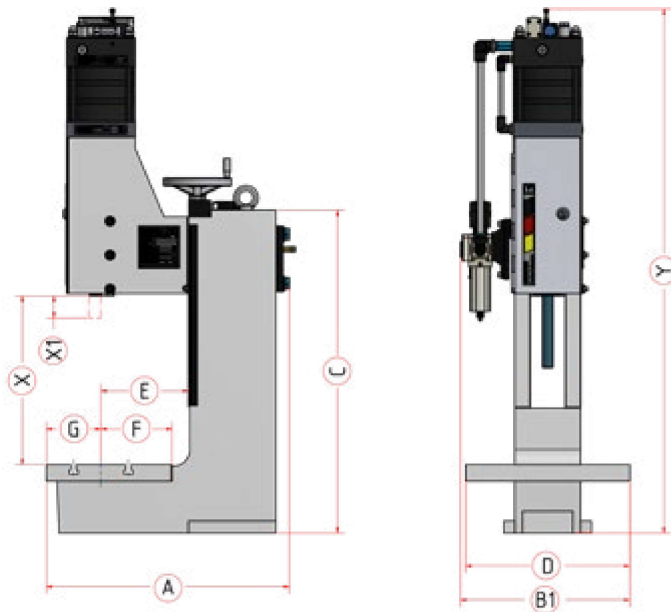
With type 13, 20 LPL  
 2 x DIN 650 M8x10  
 With type 33, 45, 56 LPL  
 2 x DIN 650 M10x12

With press force monitoring  
 Page 32



**maXYmos**

Unique **GECHTER** quality  
 No-play adjustable prism guide.  
 The clamping device can be removed towards the front, so that the clamping pivot is not damaged.



Dimension	LPL 4/8/12 kN	LPL 13/20 kN	LPL 33/45/56 kN
A2	340	445	565
B1	260	310	360
C	415	590	715
D	200	300	340
E	120	160	200
F	92	130	150
G	75	100	120
U	21	29	44
V	Ø 10 H7	Ø 15 H7	Ø 25 H7
X	73-240	100-320	120-375
X1*	4 (5,9)	4 (5,9)	4 (5,9)
Ymax	678/697/729	955/988	1170/1216/1262

\* Special stroke length on request

Subject to technical modifications.

Accessories for your press		Options	Your selection	Type 1 4 kN LPL 8 kN LPL 12 kN LPL	Type 2 13 kN LPL 20 kN LPL	Type 3 33 kN LPL 45 kN LPL 56 kN LPL
1	Standard press without accessories			X	X	X
2	Extended throat up to 300 mm	select one		X	X	X
3	Extended daylight + 100 mm			X	X	X
4	Centering plate with center bore			X	X	X
5	Pneumatic stroke counter			X	X	X
6	Additional start button control, for a definable triggering e.g. for sheltered workshops			X	X	X
	Press foundation H approx. 800 x W 690 x D 565 mm, adjustable with machine bearing elements	select any		X	X	X
7	Deposit table for lateral attachment to the press foundation on the left side (a), height adjustable			X	X	X
	Deposit table for lateral attachment to the press foundation on the right side (b), height adjustable			X	X	X
8	Highly stressable sliding table, mechanical	select one		X	X	X
	Highly stressable sliding table, mechanical with locking bolt			X	X	X
9	Clamping pivot without collar				X	X
	Clamping pivot with collar	select one			X	X
10	Footswitch, connected to plug-in connection for SpiceFlex			X	X	X

X = available

XX = Page 32-33



**Please note** that we will respond to your individual production requirements and that our **special machines experts** are at your disposal.